

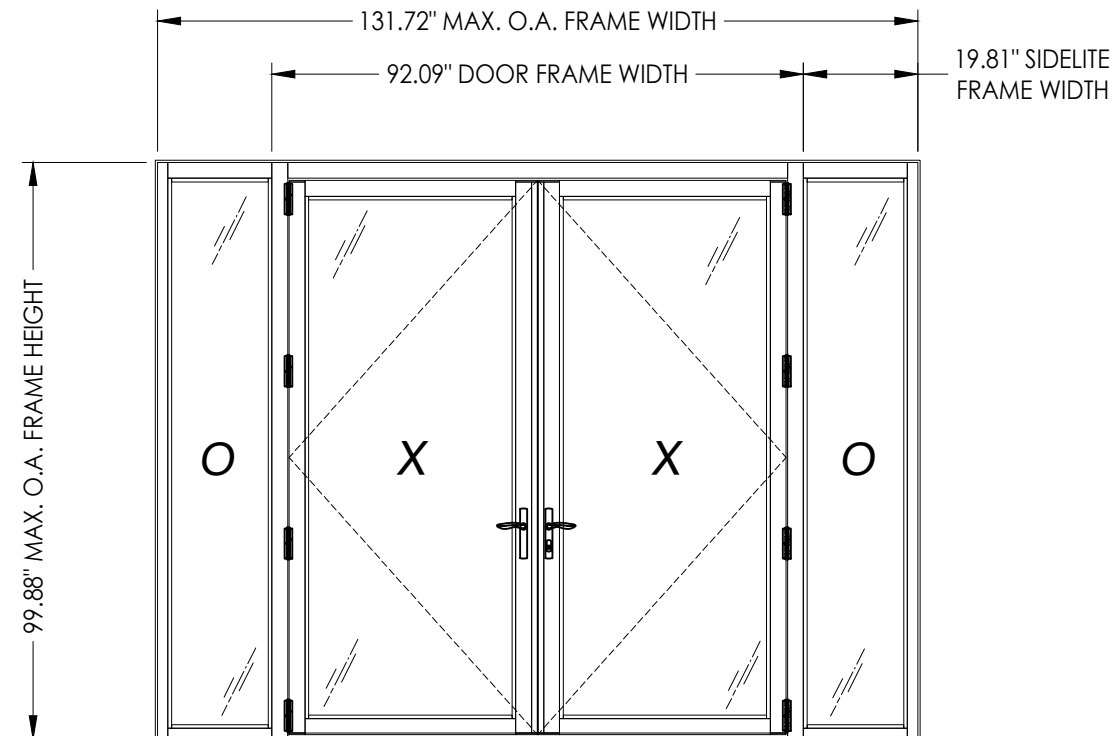
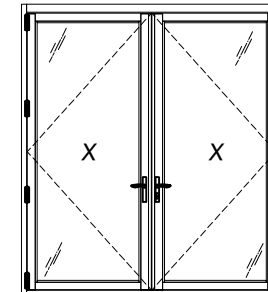


"VERIS V3" GLAZED ALUMINUM DOOR DOUBLE w/ or w/out SIDELITES OUTSWING "IMPACT"

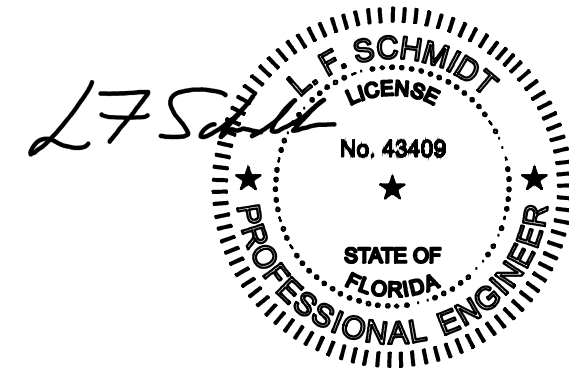
GENERAL NOTES

- This product has been evaluated and is in compliance with the 8th Edition (2023) Florida Building Code (FBC) structural requirements including the "High Velocity Hurricane Zone" (HVHZ).
- Product anchors shall be as listed and spaced as shown on details. Anchor embedment to base material shall be beyond wall dressing or stucco.
- When used in the "HVHZ", this product complies with Section 1626 of the Florida Building Code and does not require an impact resistant covering.
- For 2x stud framing construction, anchoring of these units shall be the same as that shown for 2x buck masonry construction.
- Site conditions that deviate from the details of this drawing require further engineering analysis by a licensed engineer or registered architect.
- This product does not meet the water infiltration requirements for the "HVHZ" and shall be installed only in non-habitable areas or at habitable locations protected by an overhang or canopy such that the angle between the edge of canopy or overhang to sill is less than 45 degrees.
- Aluminum components, including fasteners, shall meet the requirements of FBC Section 2003.
- Gaskets shall comply with FBC Section 2411.3.4.

TABLE OF CONTENTS	
SHEET #	DESCRIPTION
1	Typical Elevations, Design Pressures & General Notes
2	Door & Sidelite Panels & Glazing Details
3	Elevations
4	Horizontal & Vertical Cross Sections (2X Buck)
5	Horizontal & Vertical Cross Sections (1X Buck)
6	Horizontal & Vertical Cross Sections (Direct to Masonry)
7	Horizontal Cross Sections
8	Vertical Cross Sections
9	Buck Anchoring
10	Frame Anchoring
11	Bill of Materials & Components



CONFIGURATION	MAX. FRAME DIMENSION	DOOR MAX. D.L.O.	SIDELITE MAX. D.L.O.	DESIGN PRESSURE (PSF)	
				POSITIVE	NEGATIVE
OXXO	131.72" x 99.88"	35.25" X 89.25"	16.75" X 94.06"	+50.0	-50.0
XX	90.22" x 99.88"	35.25" X 89.25"	N/A	+50.0	-50.0



This item has been digitally signed and sealed by L. F. Schmidt, P.E. on the date adjacent to the seal. Printed copies of this document are not considered signed and sealed and the signature must be verified on any electronic copies.

THIS PRODUCT APPROVAL IS VALID ONLY FOR THE STATE OF FLORIDA

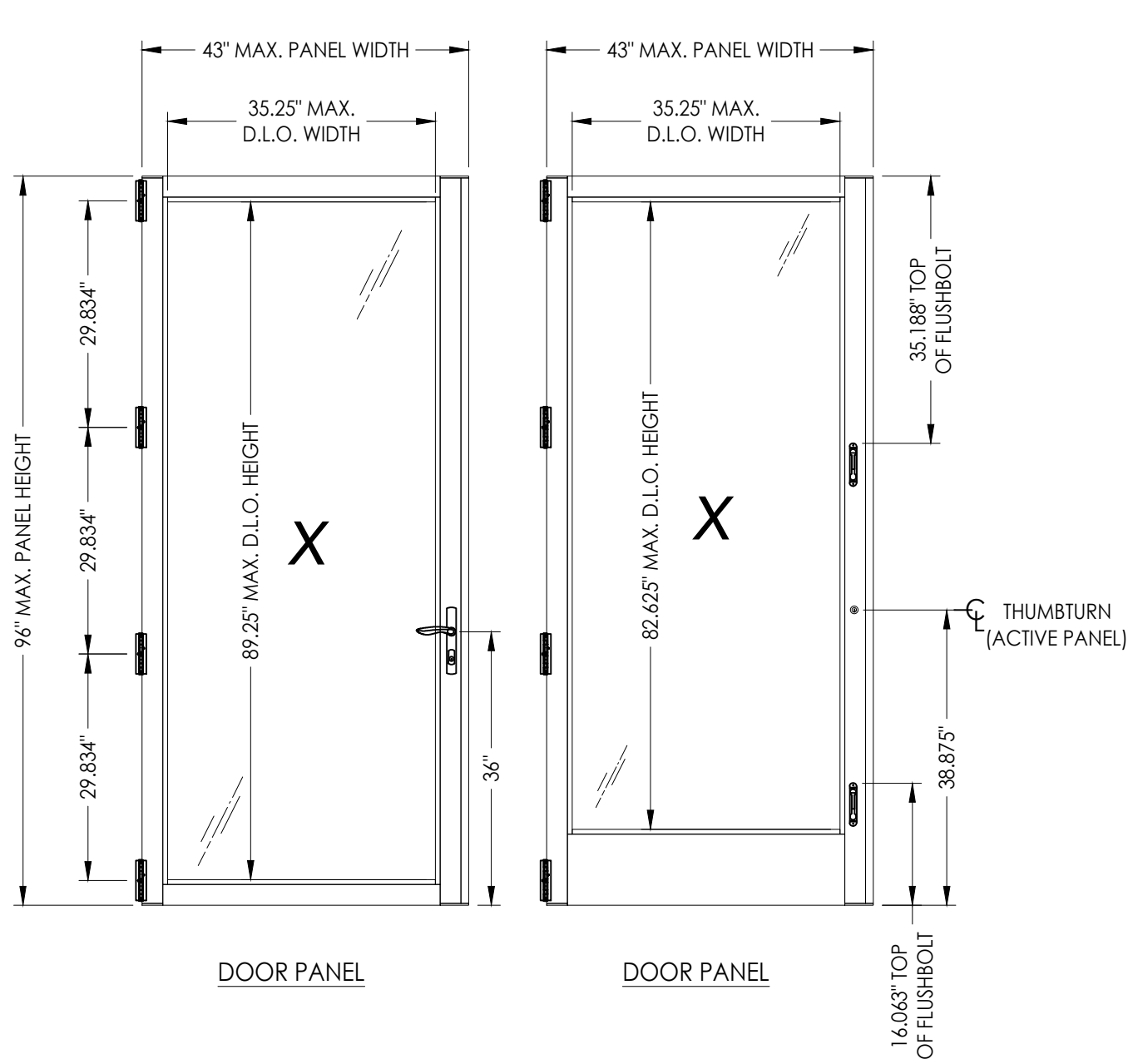
Documents Prepared By:
Lyndon F. Schmidt
P.E. No. 43409

RW BUILDING CONSULTANTS, INC.
P.O. Box 230, Valrico, FL 33595
Phone No.: 813.659.9197
FBPE Registry No. 9813

PRODUCT: THERMA TRU
PART OR ASSEMBLY: TYPICAL ELEVATION, DESIGN PRESSURES & GENERAL NOTES

NO.	DATE	BY	REVISIONS

DATE: 2/07/24
SCALE: N.T.S.
DWG. BY: LFS
CHK. BY: RW
DRAWING NO.: FL-46172.10
SHEET 1 OF 11

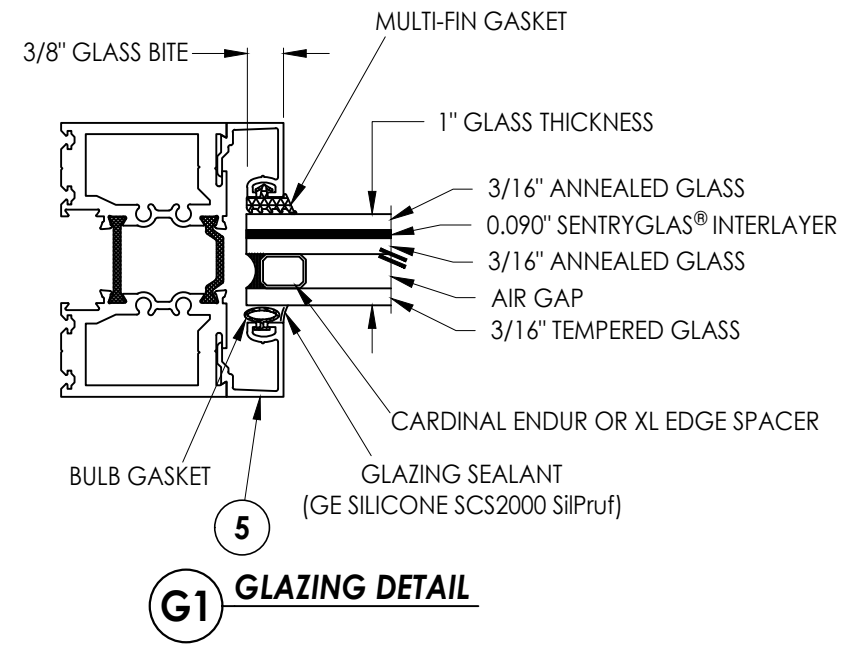


DOOR PANEL

DOOR PANEL

SIDELITE PANEL

HARDWARE TABLE	
MANUFACTURER	MODEL
HOPPE	HOPPE HLS9000
	ACTIVE: LEVER w/ 3 pt. LOCK INACTIVE: LEVER w/ 2 pt. LOCK
ADAMS RITE	ACTIVE: THUMBTURN & KEYED CYLINDER MS+ 1890 SERIES DEADBOLT
TERRY HINGE & HARDWARE	ACTIVE & INACTIVE: FLUSHBOLTS



NOTE: GLAZING > 36" WIDE REQUIRES AT LEAST TWO (2) SETTING BLOCKS CONFORMING TO FBC SECTION 2411.3.3.1.

Documents Prepared By:
Lyndon F. Schmidt
P.E. No. 43409

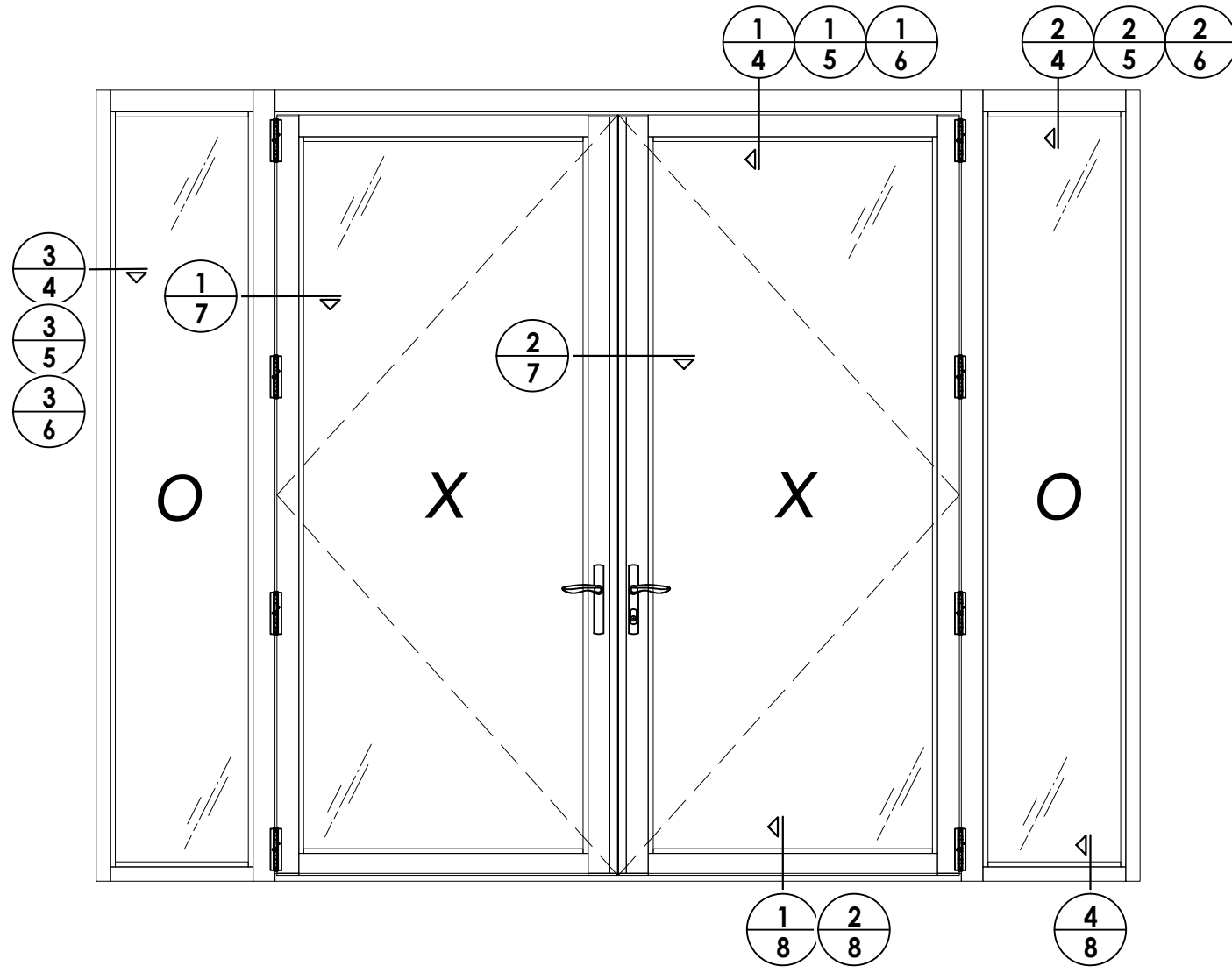
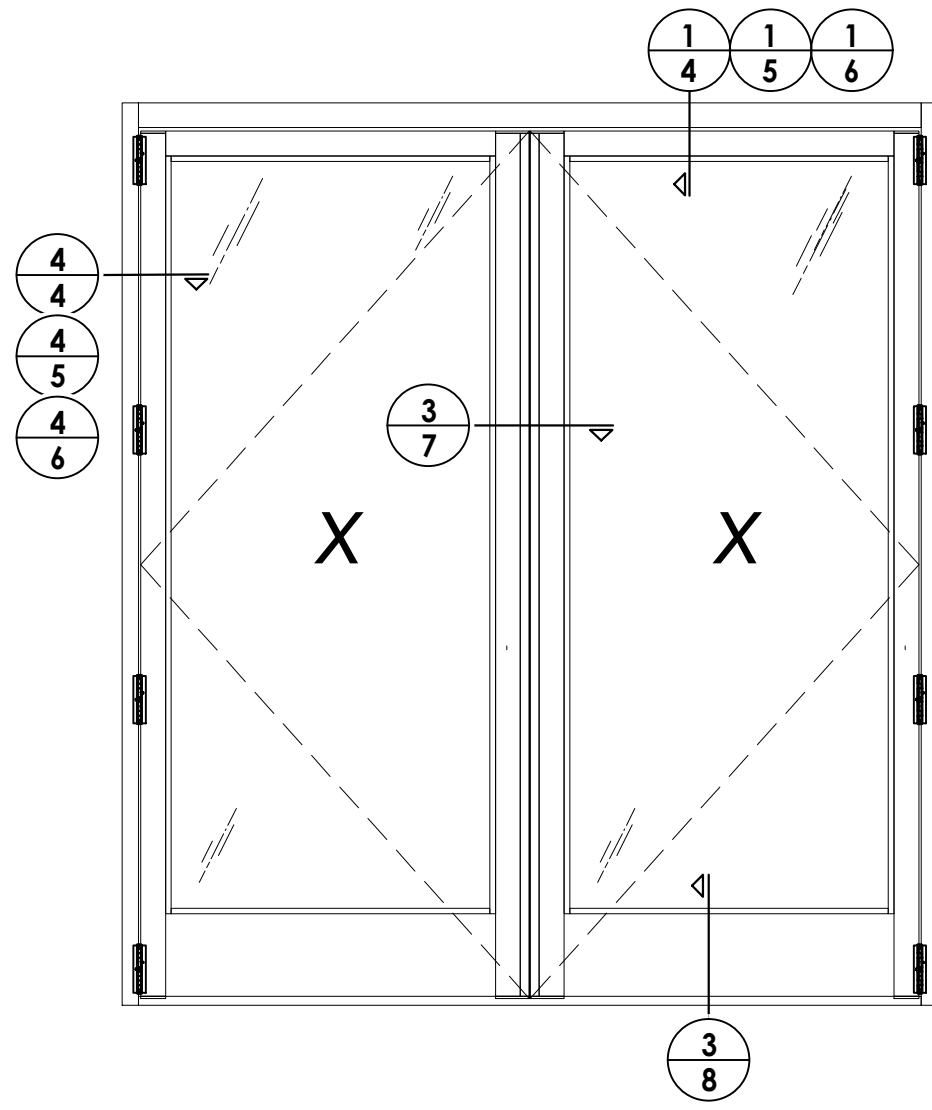
RW BUILDING CONSULTANTS, INC.
P.O. Box 230, Valrico, FL 33595
Phone No.: 813.659.9197
FBPE Registry No. 9813

PRODUCT: THERMA-TRU

PART OR ASSEMBLY:
DOOR & SIDELITE PANELS &
GLAZING DETAILS

NO.	DATE	BY	REVISIONS

DATE: 2/07/24
SCALE: N.T.S.
DWG. BY: LFS
CHK. BY: RW
DRAWING NO.: FL-46172.10
SHEET 2 of 11

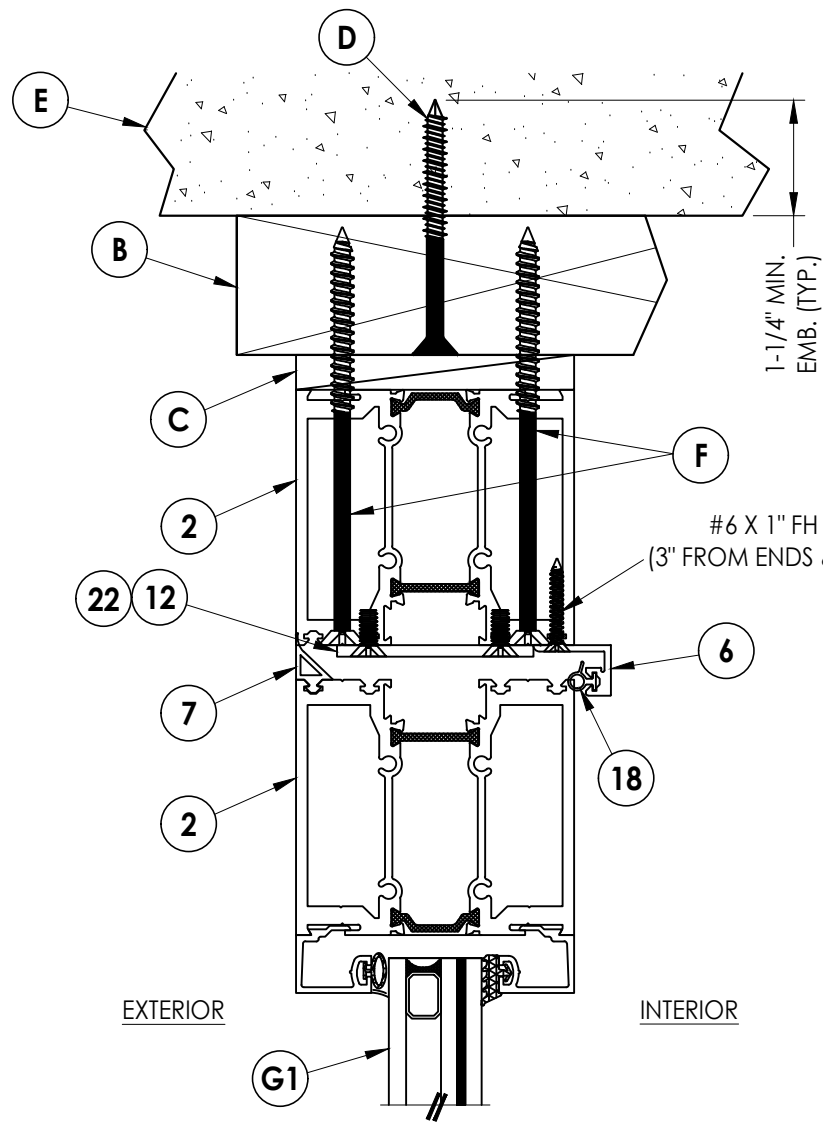


DATE: 2/07/24
 SCALE: N.T.S.
 DWG. BY: LFS
 CHK. BY: RW
 DRAWING NO.: FL-46172.10
 SHEET 3 OF 11

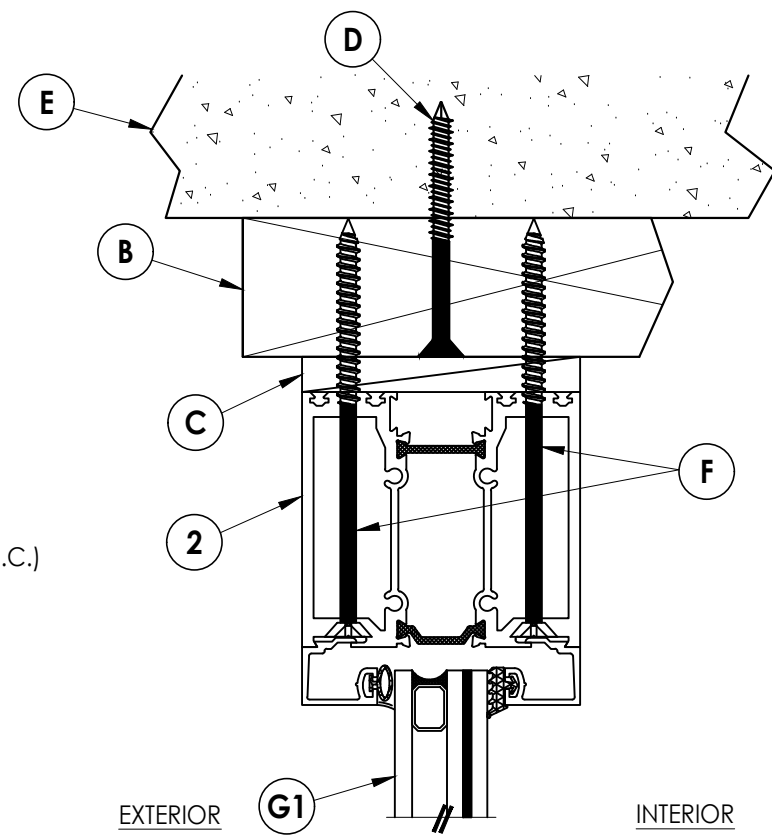
NO.	DATE	BY	REVISIONS

PRODUCT: THERMA-TRU
 PART OR ASSEMBLY: ELEVATIONS

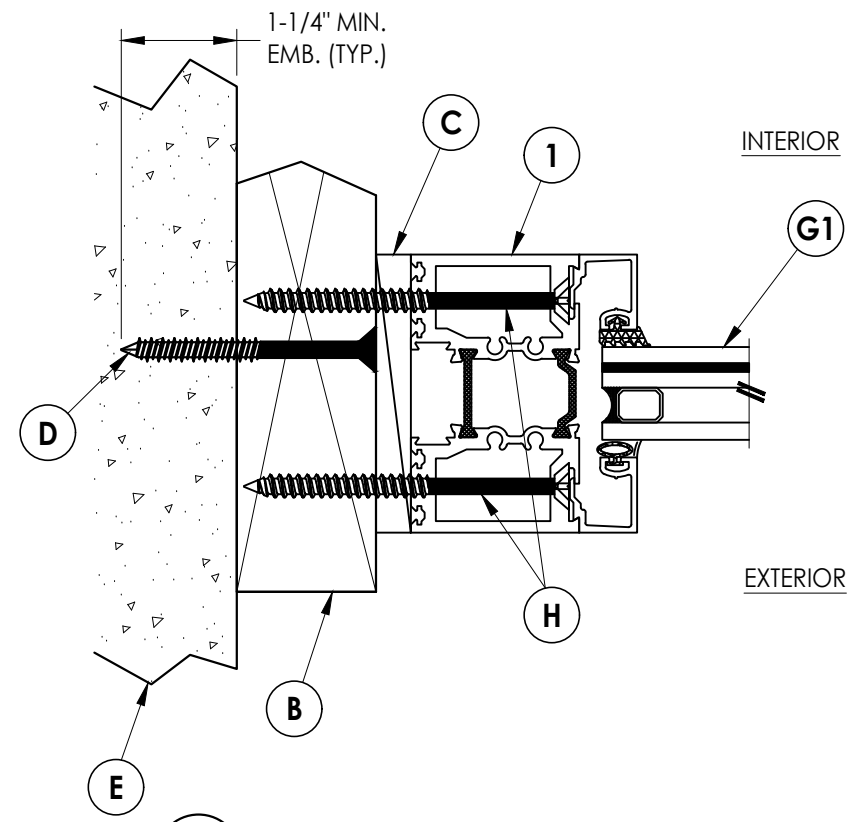
Documents Prepared By:
 Lyndon F. Schmidt
 P.E. No. 43409
RW BUILDING CONSULTANTS, INC.
 P.O. Box 230, Vairico, FL 33595
 Phone No.: 813.659.9197
 FBPE Registry No. 9813



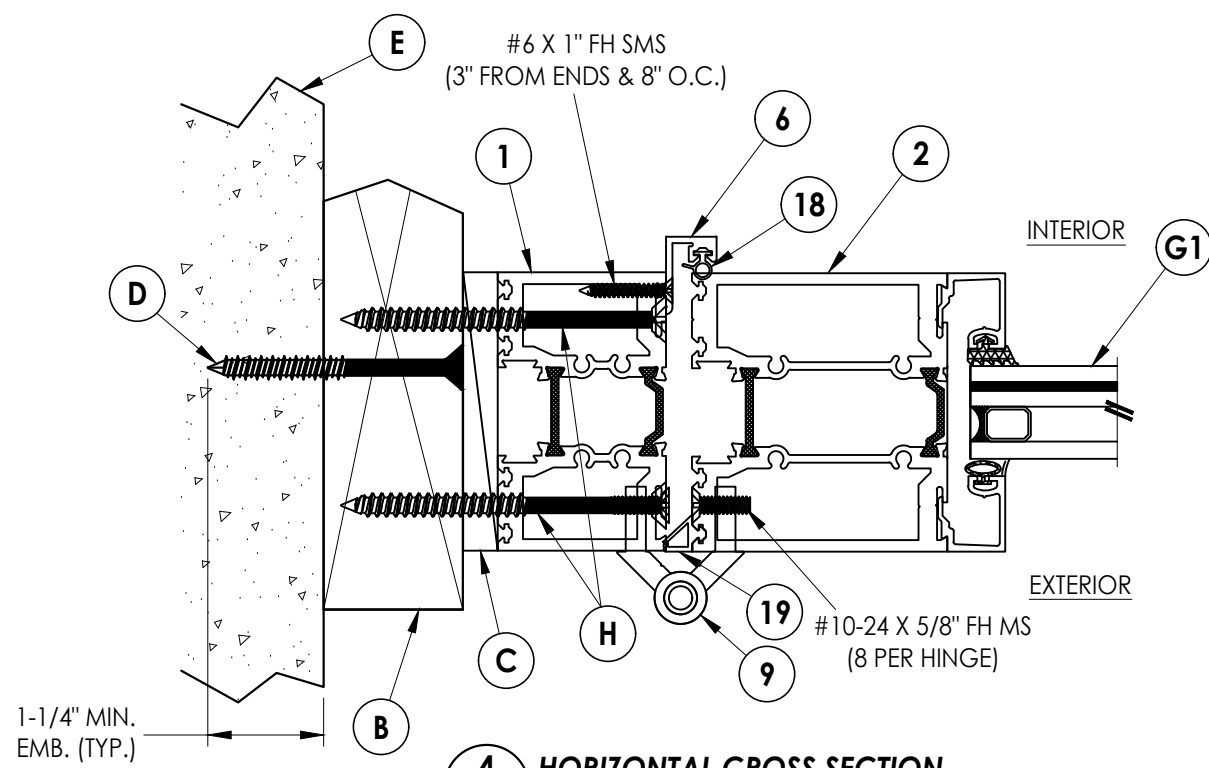
1 VERTICAL CROSS SECTION
4 Shown w/ 2X Buck



2 VERTICAL CROSS SECTION
4 Shown w/ 2X Buck



3 HORIZONTAL CROSS SECTION
4 Shown w/ 2X Buck



4 HORIZONTAL CROSS SECTION
4 Shown w/ 2X Buck

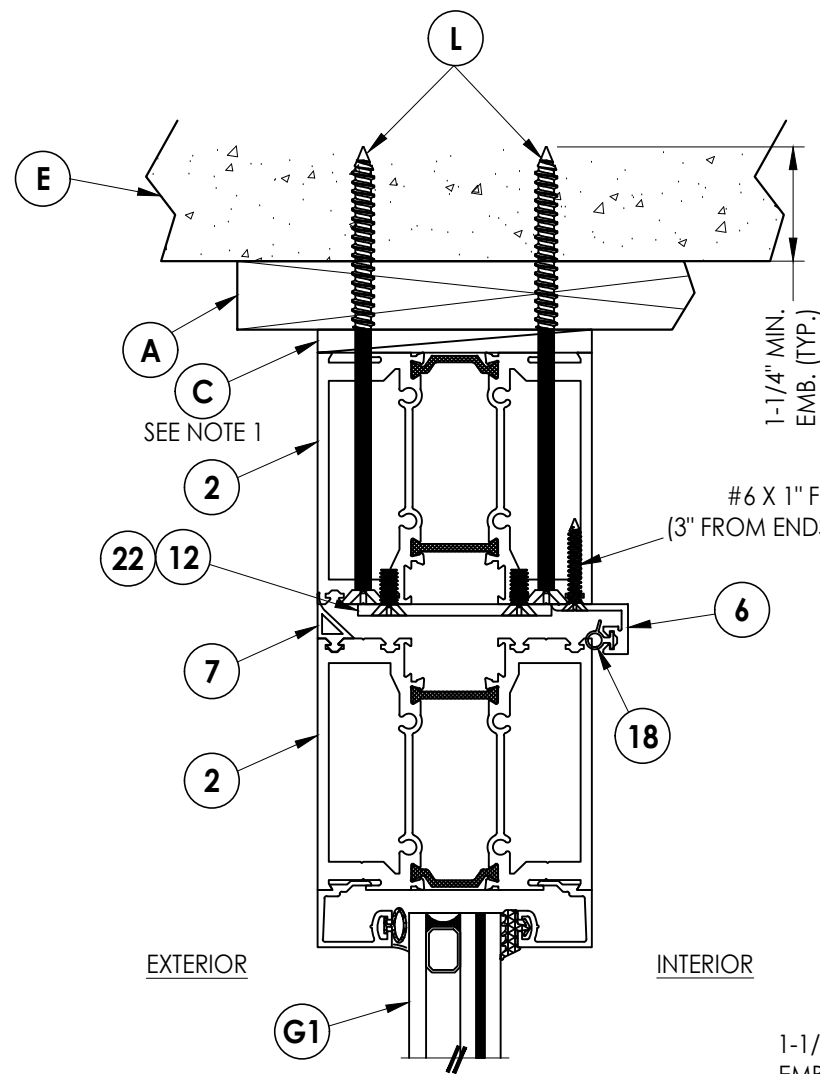
Documents Prepared By:
Lyndon F. Schmidt
P.E. No. 43409

RW BUILDING CONSULTANTS, INC.
P.O. Box 230, Vairico, FL 33595
Phone No.: 813.659.9197
FBPE Registry No. 9813

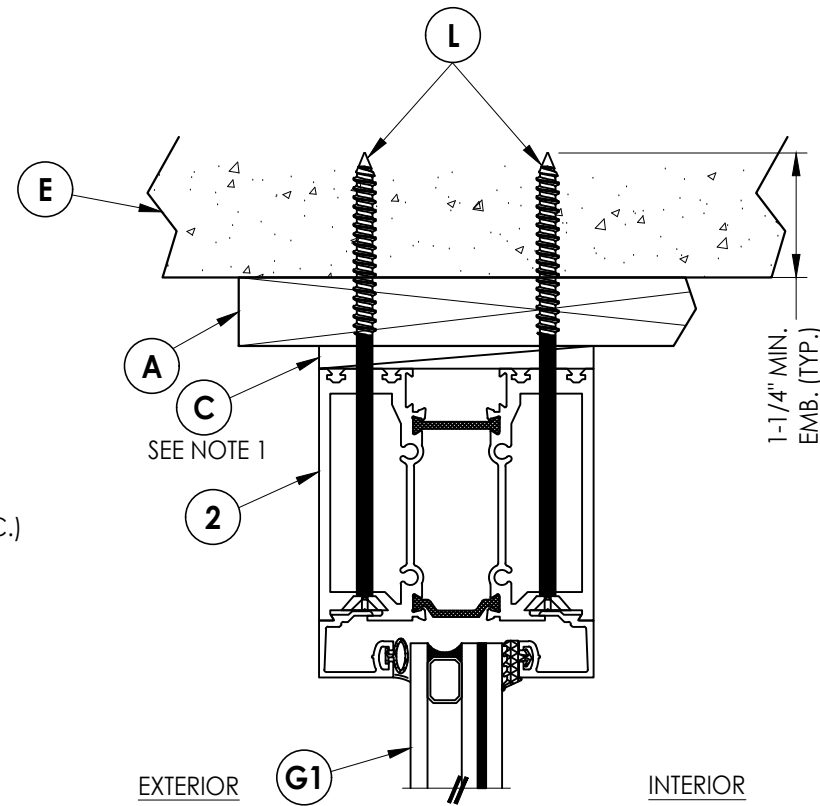
PRODUCT: THERMA-TRU
PART OR ASSEMBLY: HORIZONTAL & VERTICAL CROSS SECTIONS (2X BUCK)

NO.	DATE	BY	REVISIONS

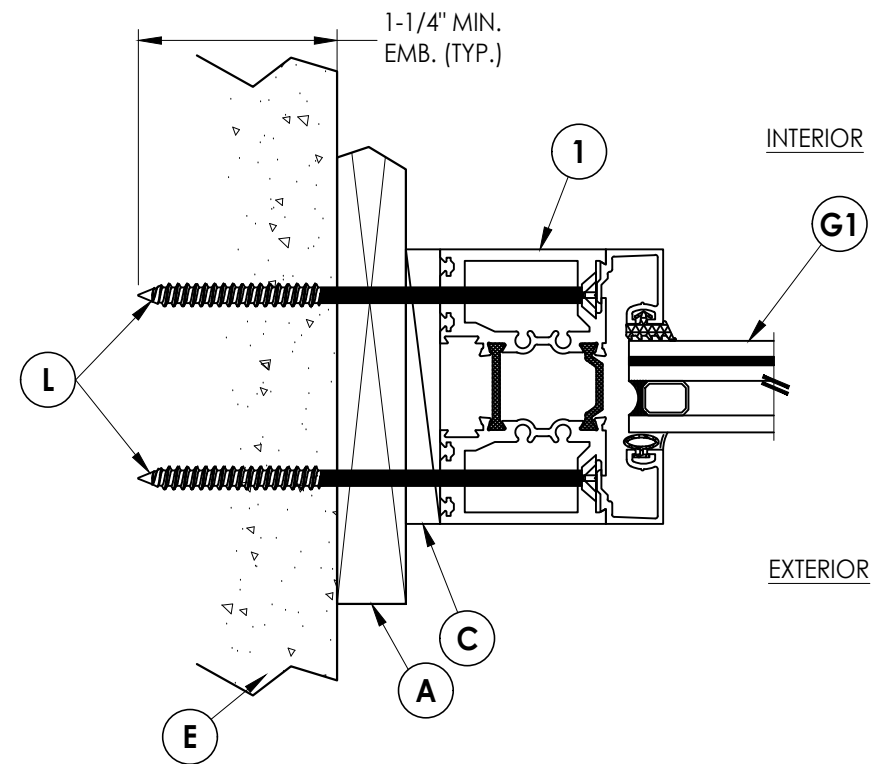
DATE: 2/07/24
SCALE: N.T.S.
DWG. BY: LFS
CHK. BY: RW
DRAWING NO.: FL-46172.10
SHEET 4 OF 11



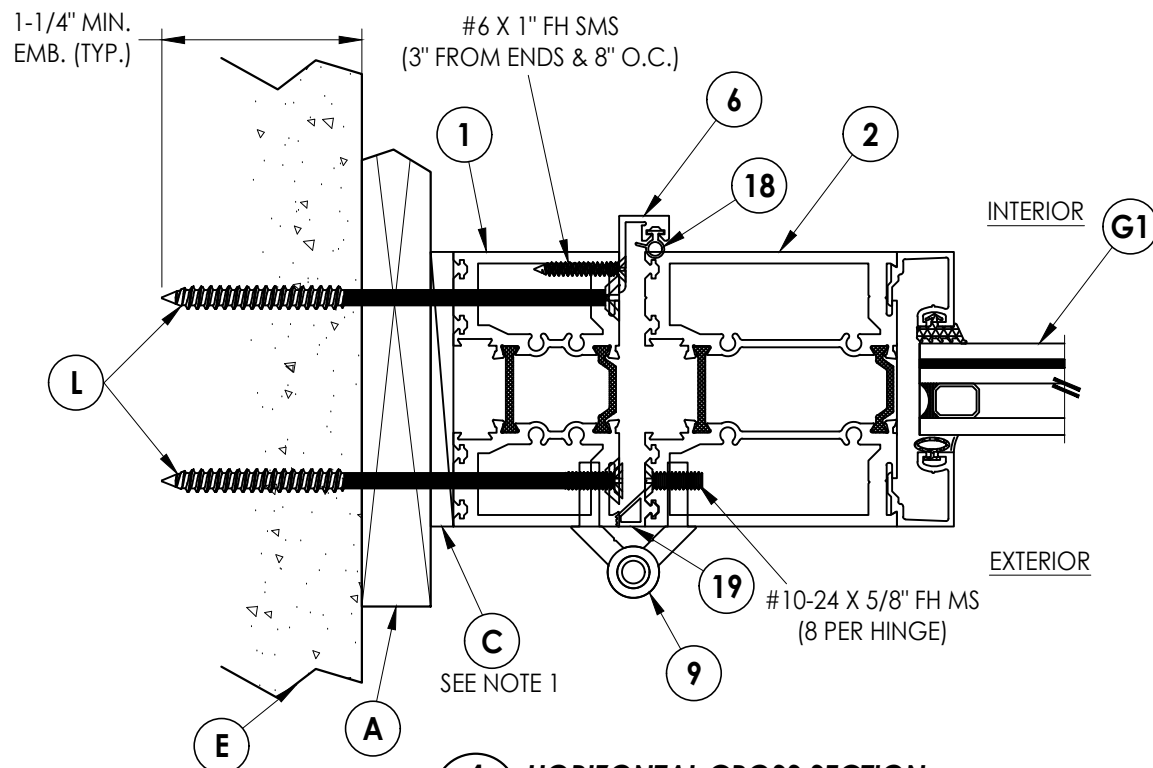
1 VERTICAL CROSS SECTION
5 Shown w/ 1X Buck



2 VERTICAL CROSS SECTION
5 Shown w/ 1X Buck



3 HORIZONTAL CROSS SECTION
5 Shown w/ 1X Buck



4 HORIZONTAL CROSS SECTION
5 Shown w/ 1X Buck

NOTE:
1. MAXIMUM 1/4" SHIM @ HEAD & JAMBS w/ 1X BUCK AS SHOWN.

Documents Prepared By:
Lyndon F. Schmidt
P.E. No. 43409

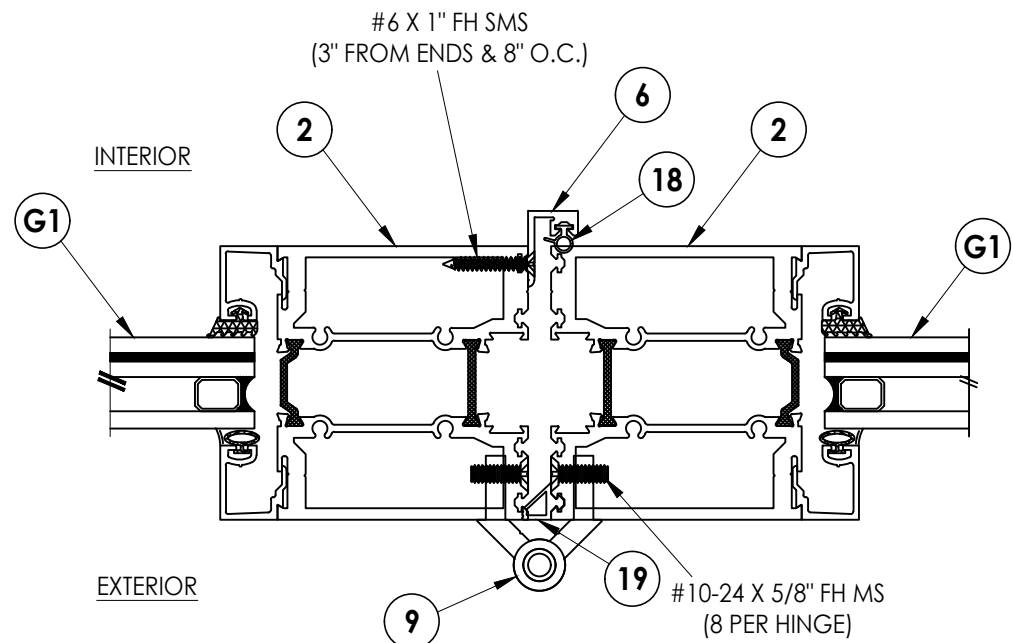
RW BUILDING CONSULTANTS, INC.
P.O. Box 230, Vairico, FL 33595
Phone No.: 813.659.9197
FBPE Registry No. 9813

PRODUCT: THERMA-TRU

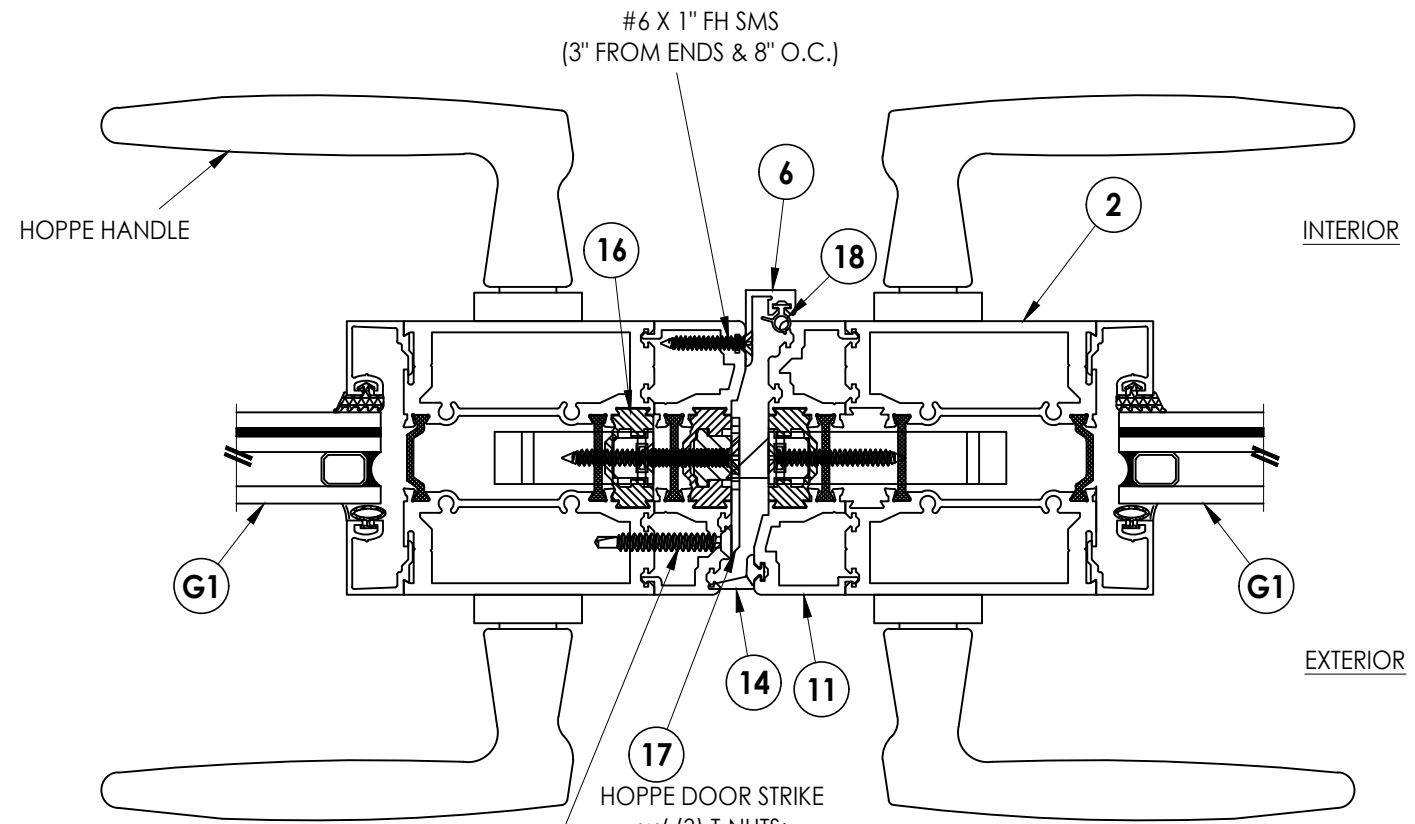
PART OR ASSEMBLY:
HORIZONTAL & VERTICAL
CROSS SECTIONS (1X BUCK)

NO.	DATE	BY	REVISIONS

DATE: 2/07/24
SCALE: N.T.S.
DWG. BY: LFS
CHK. BY: RW
DRAWING NO.: FL-46172.10
SHEET 5 OF 11



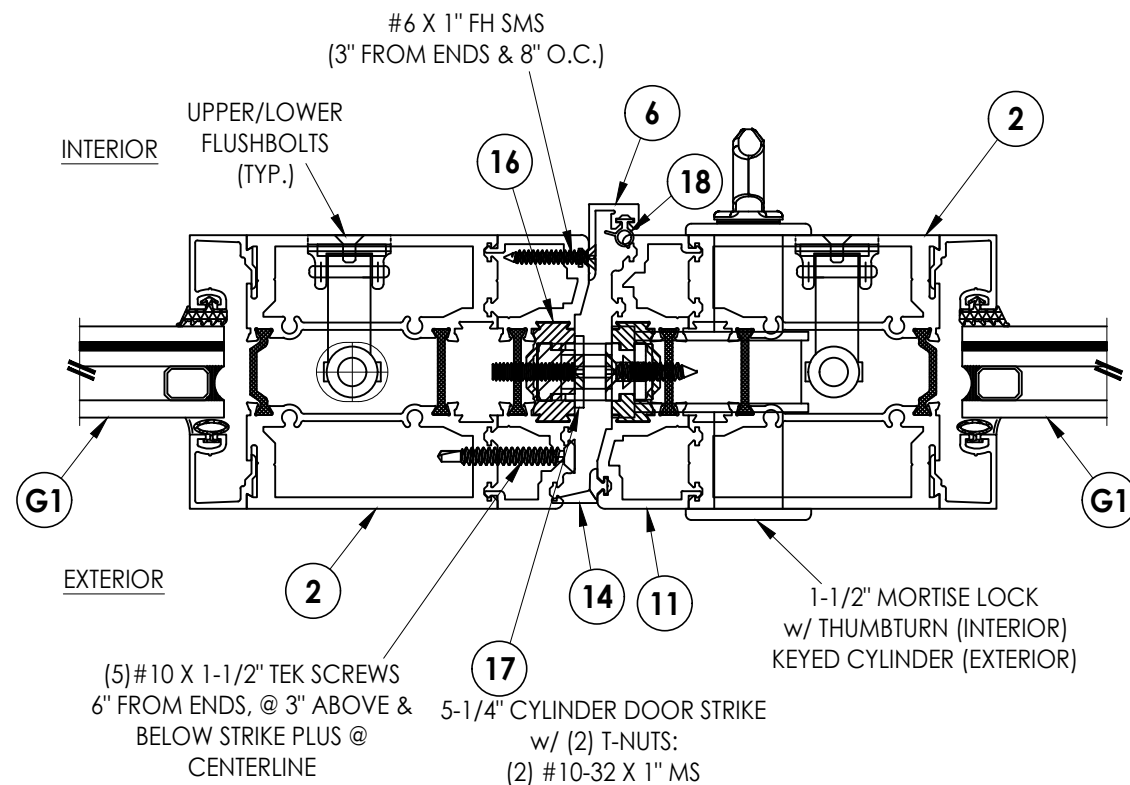
1
7 **HORIZONTAL CROSS SECTION**



HOPPE HANDLE

HOPPE DOOR STRIKE
w/ (3) T-NUTS:
(5) #10 X 1-1/2" TEK SCREWS (2) 10-32 X 5/8" MS
6" FROM ENDS, @ 3" ABOVE & (1) 10-32 X 1" MS
BELOW STRIKE PLUS @
CENTERLINE

2
7 **HORIZONTAL CROSS SECTION**



UPPER/LOWER
FLUSHBOLTS
(TYP.)

1-1/2" MORTISE LOCK
w/ THUMBTURN (INTERIOR)
KEYED CYLINDER (EXTERIOR)

(5) #10 X 1-1/2" TEK SCREWS
6" FROM ENDS, @ 3" ABOVE & (2) #10-32 X 1" MS
BELOW STRIKE PLUS @
CENTERLINE

5-1/4" CYLINDER DOOR STRIKE
w/ (2) T-NUTS:

3
7 **HORIZONTAL CROSS SECTION**

Documents Prepared By:
Lyndon F. Schmidt
P.E. No. 43409

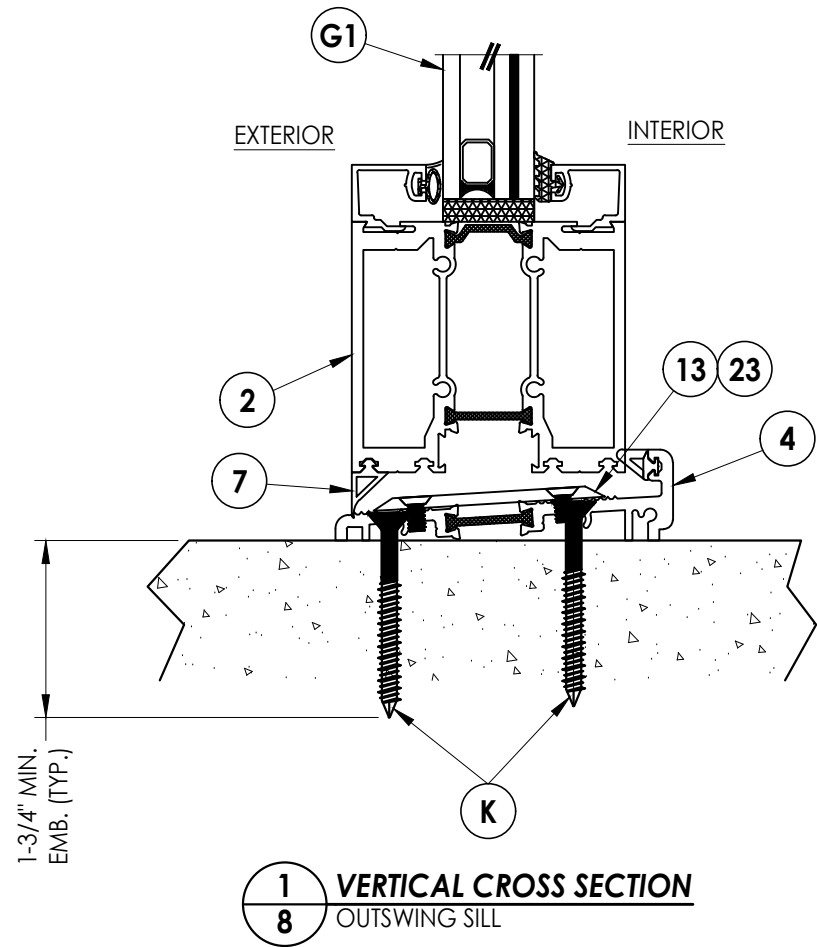
RW BUILDING CONSULTANTS, INC.
P.O. Box 230, Vairico, FL 33595
Phone No.: 813.659.9197
FBPE Registry No. 9813

PRODUCT: THERMA-TRU

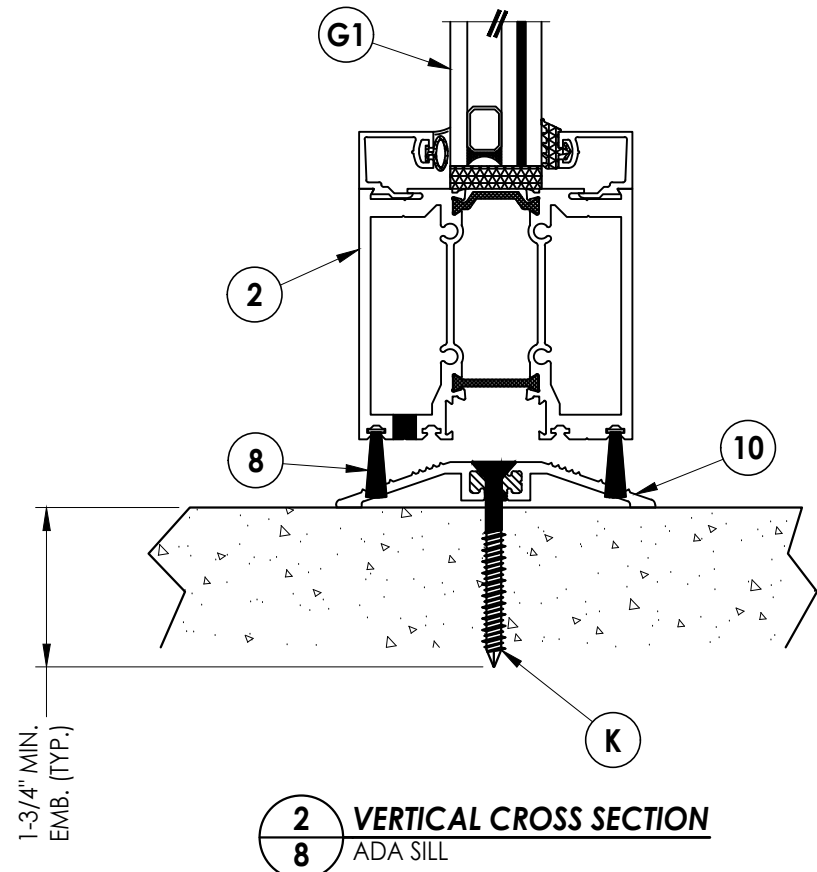
PART OR ASSEMBLY:
HORIZONTAL CROSS SECTIONS

NO.	DATE	BY	REVISIONS

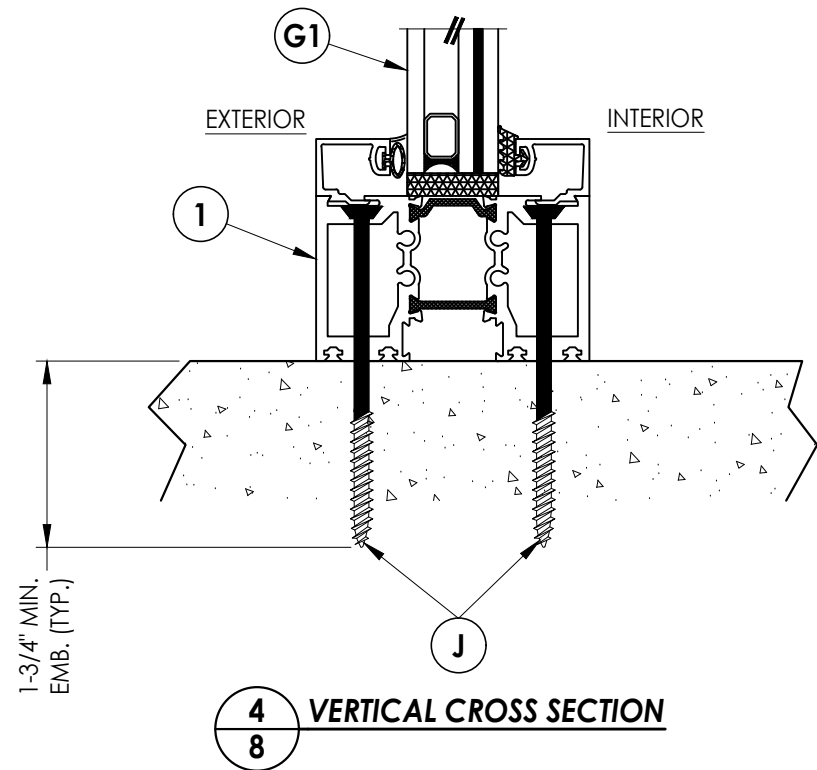
DATE: 2/07/24
SCALE: N.T.S.
DWG. BY: LFS
CHK. BY: RW
DRAWING NO.: FL-46172.10
SHEET 7 OF 11



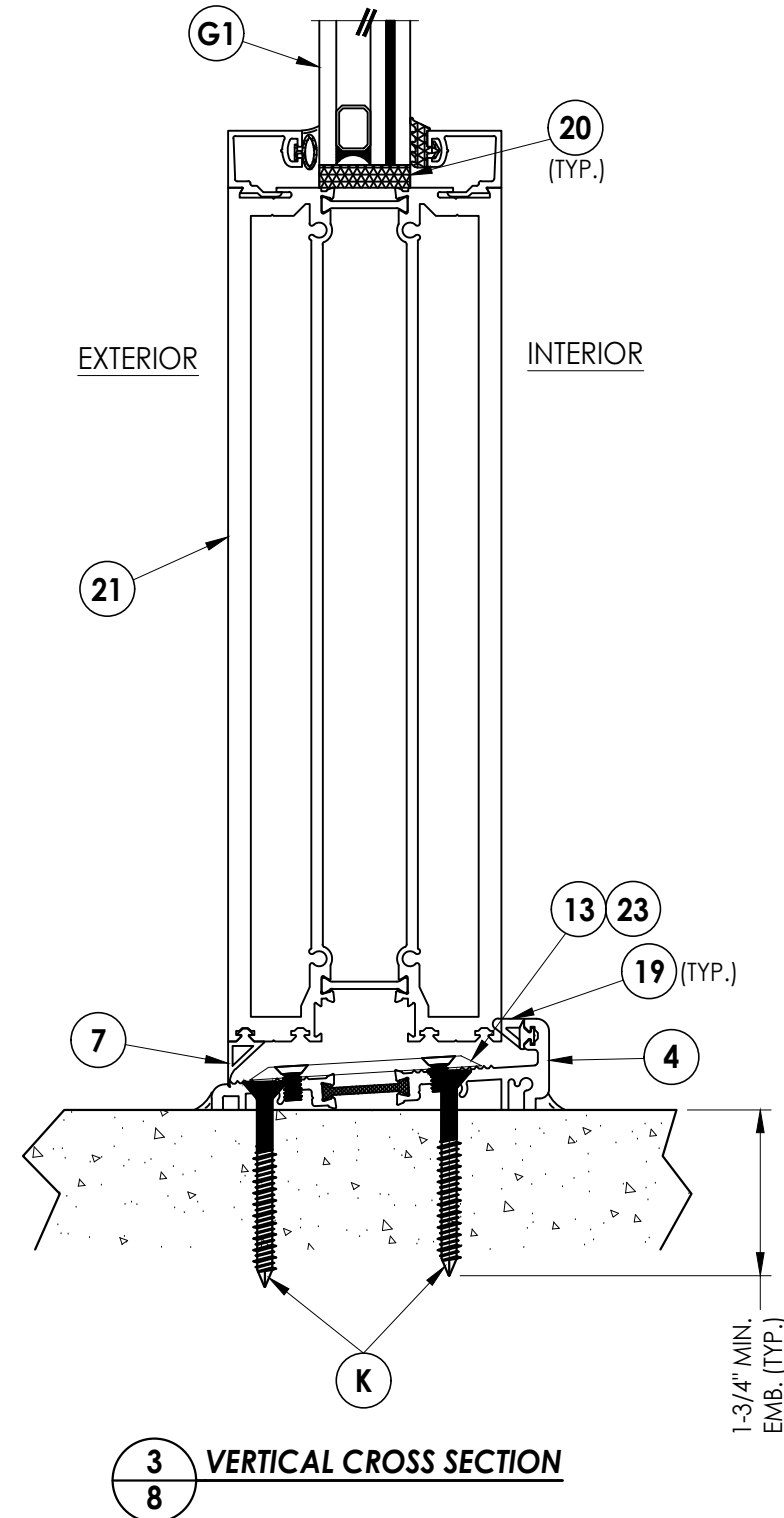
1 VERTICAL CROSS SECTION
8 OUTSWING SILL



2 VERTICAL CROSS SECTION
8 ADA SILL



4 VERTICAL CROSS SECTION
8



3 VERTICAL CROSS SECTION
8

Documents Prepared By:
Lyndon F. Schmidt
P.E. No. 43409

RW BUILDING CONSULTANTS, INC.
P.O. Box 230, Valrico, FL 33595
Phone No.: 813.659.9197
FBPE Registry No. 9813

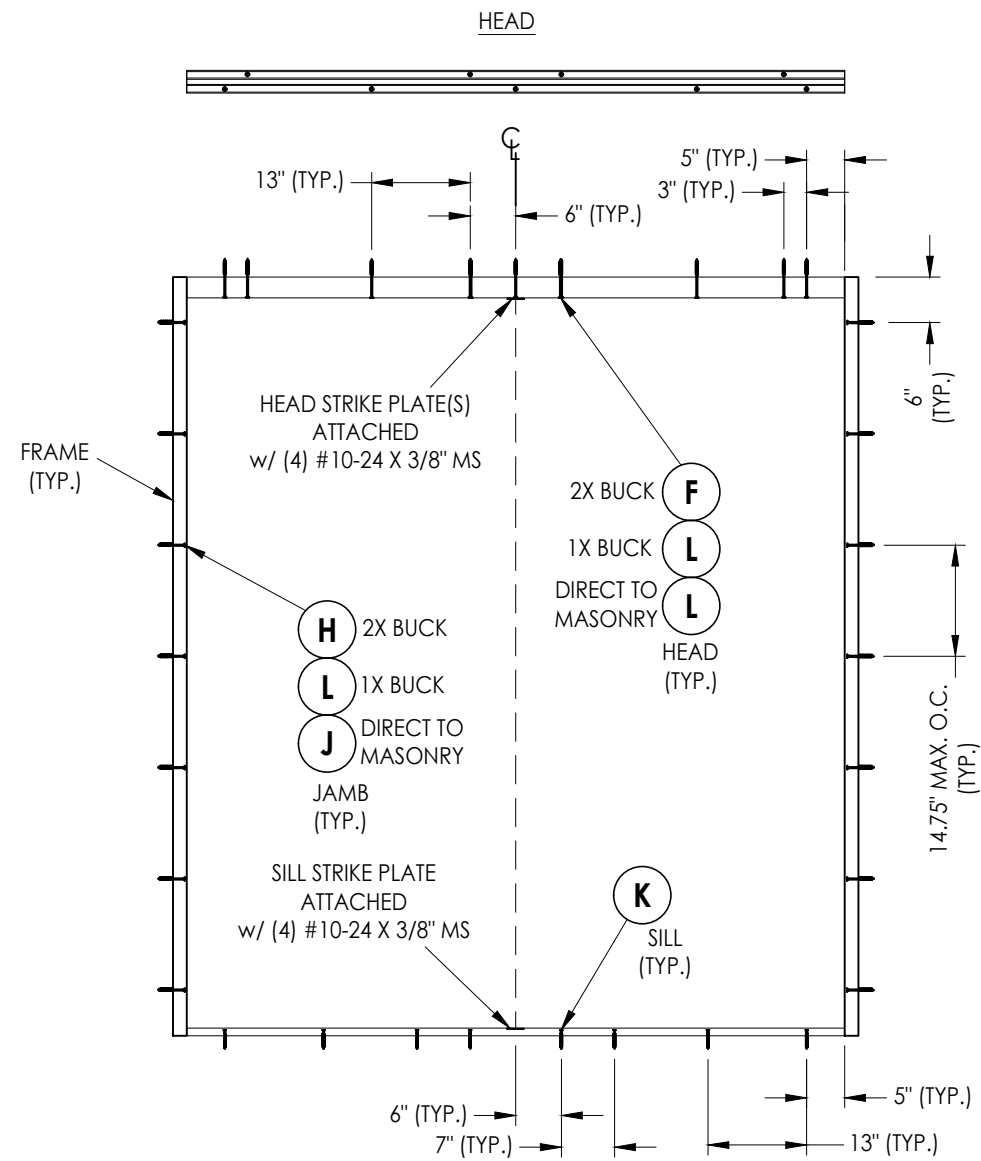
PRODUCT: THERMA-TRU

PART OR ASSEMBLY:
VERTICAL CROSS SECTIONS

NO.	DATE	BY

DATE: 2/07/24
SCALE: N.T.S.
DWG. BY: JK
CHK. BY: RW
DRAWING NO.: FL-46172.10
SHEET 8 OF 11

NOTE: ALL ANCHORS SHOWN ARE STAGGERED EXCEPT FOR THE ADA SILL ANCHORS (SEE CROSS-SECTIONS)



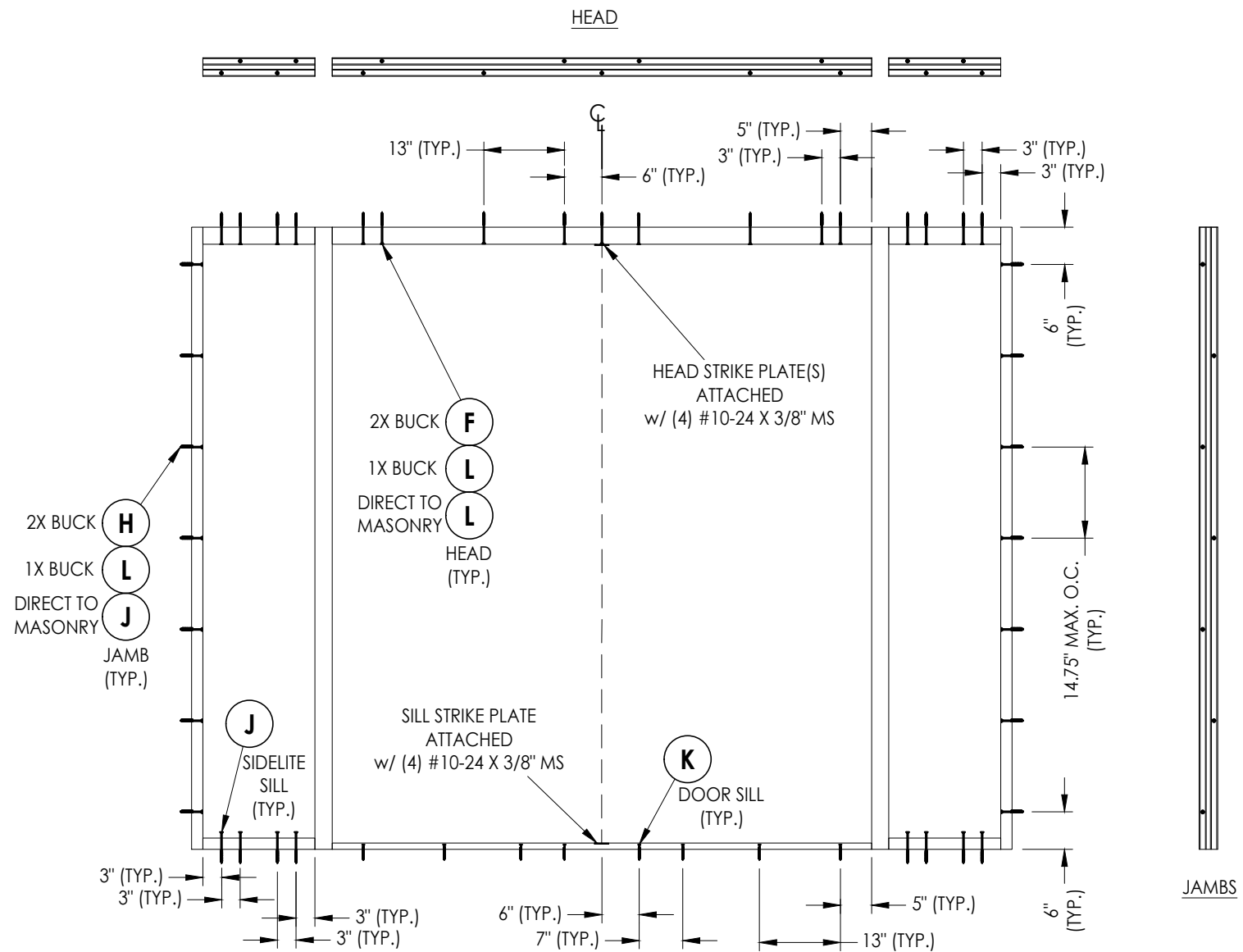
XX



OUTSWING SILL



ADA SILL



OXXO



OUTSWING SILL



ADA SILL

FRAME ANCHORING

Documents Prepared By:
Lyndon F. Schmidt
P.E. No. 43409

RW BUILDING CONSULTANTS, INC.
P.O. Box 230, Valrico, FL 33595
Phone No.: 813.659.9197
FBPE Registry No. 9813

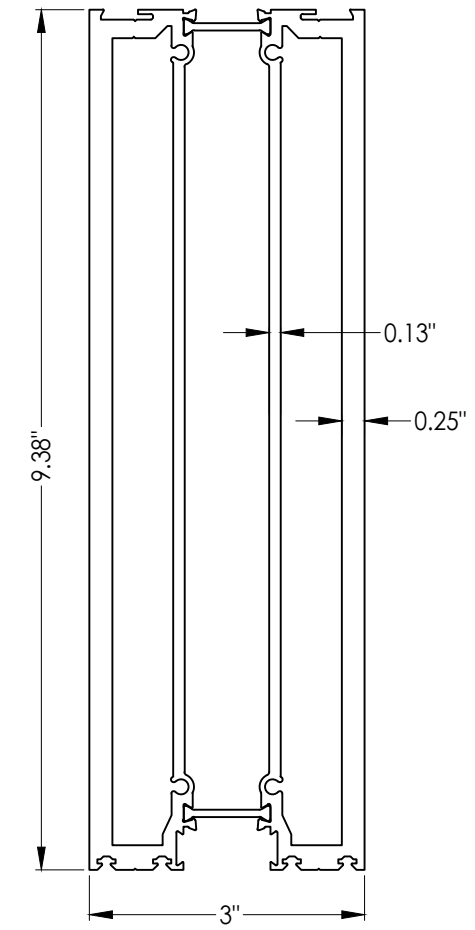
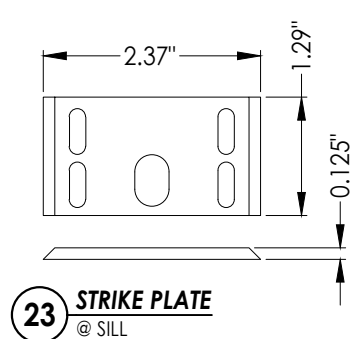
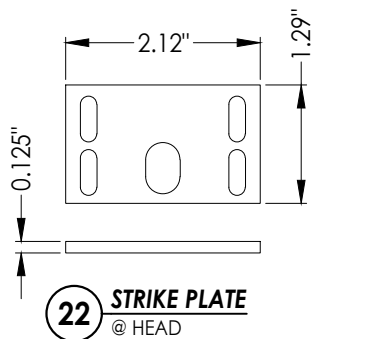
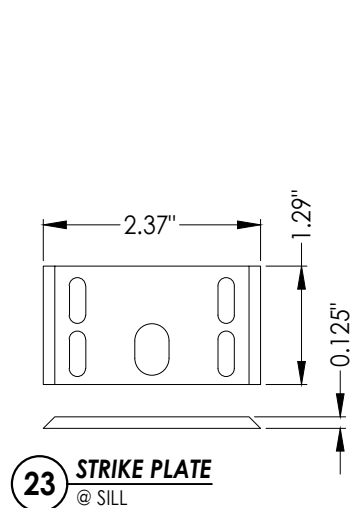
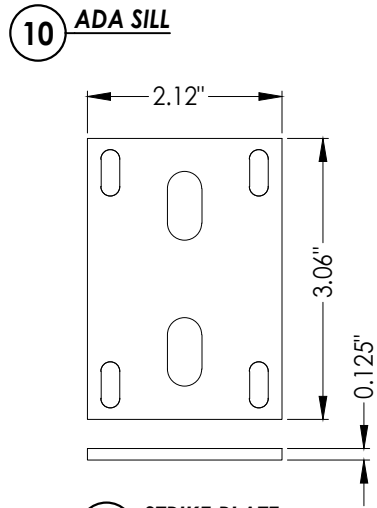
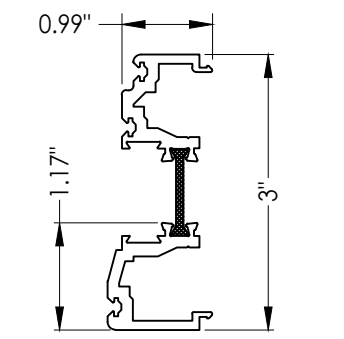
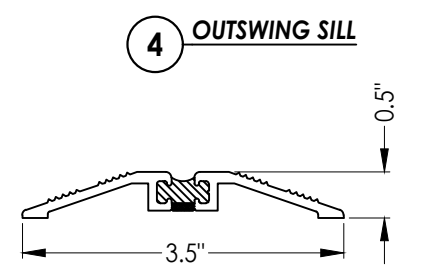
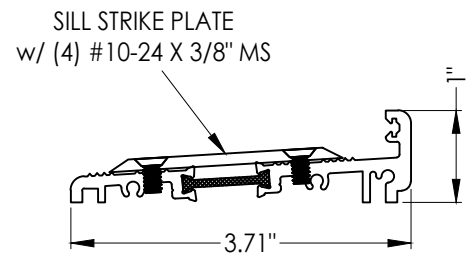
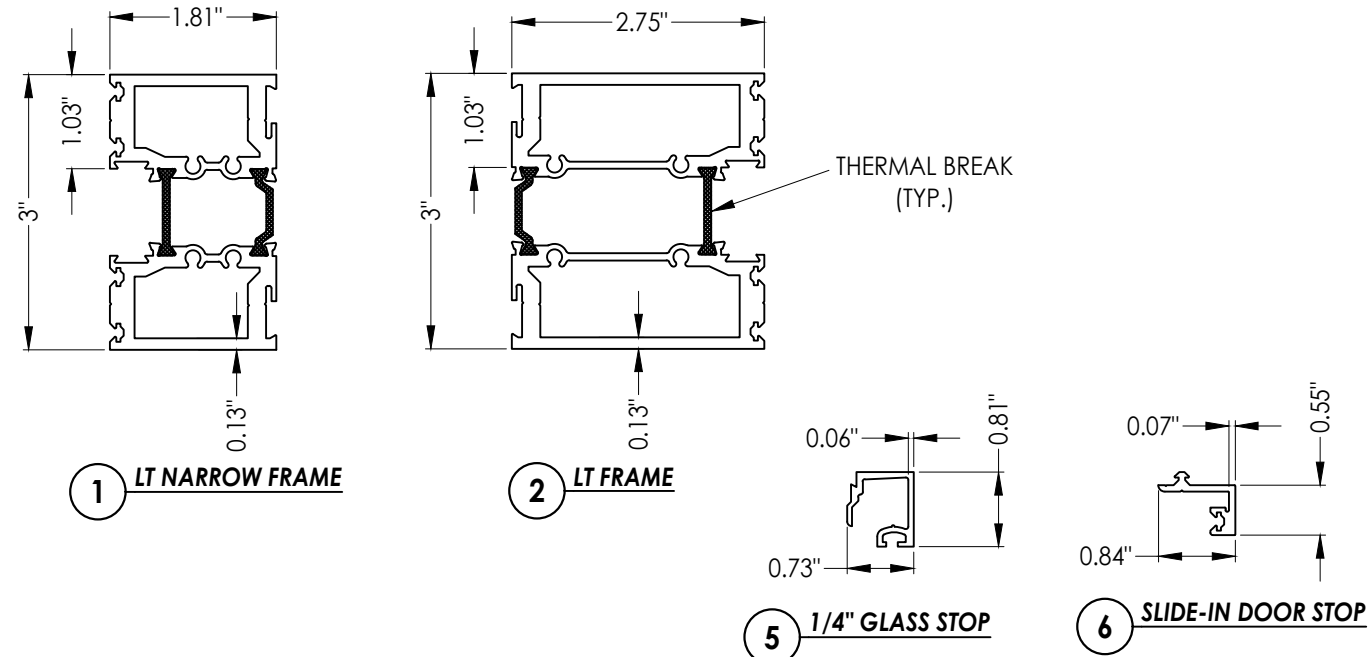
PRODUCT: THERMA TRU
PART OR ASSEMBLY: FRAME ANCHORING

NO.	DATE	BY

DATE: 2/07/24
SCALE: N.T.S.
DWG. BY: JK
CHK. BY: RW
DRAWING NO.: FL-46172.10
SHEET 10 of 11

BILL OF MATERIALS

ITEM	DESCRIPTION	MATERIAL
A	1X BUCK (SG >= 0.42)	WOOD
B	2X BUCK (SG >= 0.42)	WOOD
C	3/8" MAX. SHIM SPACE	-
D	1/4" X 2-3/4" PFH DeWALT OR ITW CONCRETE SCREW	STEEL
E	MASONRY - 3,000 PSI MIN. CONCRETE CONFORMING TO ACI 301 OR HOLLOW BLOCK CONFORMING TO ASTM C90	CONCRETE
F	#14 X 4-1/2" FH SMS (1-1/4" MIN. EMBEDMENT)	S.S.
H	#14 X 3-1/2" FH SMS (1-1/4" MIN. EMBEDMENT)	S.S.
J	1/4" X 3-3/4" PFH DeWALT OR ITW CONCRETE SCREW	STEEL
K	1/4" X 2-1/4" PFH DeWALT OR ITW CONCRETE SCREW	STEEL
L	1/4" X 5" PFH DeWALT OR ITW CONCRETE SCREW	STEEL
1	LT NARROW FRAME	6063-T6 ALUM
2	LT FRAME	6063-T6 ALUM
4	OUTSWING SILL	6063-T6 ALUM
5	1/4" GLASS STOP	6063-T6 ALUM
6	SLIDE-IN DOOR STOP	6063-T5 ALUM
7	DOOR SILL GASKET	-
8	3/4" BRUSH WEATHERSTRIP	-
9	SEMI-CONCEALED HINGE	6105-T5 ALUM
10	ADA SILL	6063-T5 ALUM
11	SWING DOOR ADAPTER	6063-T6 ALUM
12	STRIKE PLATE (@ HEAD)	S.S.
13	STRIKE PLATE (@ SILL)	S.S.
14	DOOR SWEEP FOAM GASKET	-
16	16mm EUROGROOVE	-
17	HOPPE DOOR STRIKE	S.S.
18	BULB GASKET	-
19	DOOR GASKET	-
20	SETTING BLOCK	-
21	DOOR BOTTOM PANEL	6063-T5 ALUM
22	STRIKE PLATE (@ HEAD)	S.S.
23	STRIKE PLATE (@ SILL)	S.S.



DATE:	2/07/24
SCALE:	N.T.S.
DWG. BY:	JK
CHK. BY:	RW
DRAWING NO.:	FL-46172.10
SHEET	11 OF 11

PRODUCT:	THERMA TRU	
PART OR ASSEMBLY:	BILL OF MATERIAL & COMPONENTS	
NO.	DATE	BY
REVISIONS		

Documents Prepared By:
Lyndon F. Schmidt
P.E. No. 43409

RW BUILDING CONSULTANTS, INC.
P.O. Box 230, Valrico, FL 33595
Phone No.: 813.659.9197
FBPE Registry No. 9813